






Insulated Conductor Rails/Bars

Chinese



<p>3-Pole Continuous Type (50/75/100/150A/200A)</p>	<p>4-Pole Continuous Type (50/75/100/150A/200A)</p>	<p>6-Pole Continuous Type (50/75A/100A)</p>
		

<p>I-Single Pole Continuous Type (200A)</p>	<p>W-Single Pole Type (320 / 520A/800A)</p>
	

CAUTION
 MAKE CERTAIN POWER SUPPLY IS DISCONNECTED BEFORE INSTALLING, REPAIRING, OR WORKING IN THE PROXIMITY OF ANY ELECTRICAL SYSTEM. ONLY QUALIFIED ELECTRICAL PERSONNEL SHOULD INSTALL OR REPAIR THESE PRODUCTS.

W型絕緣安全電軌



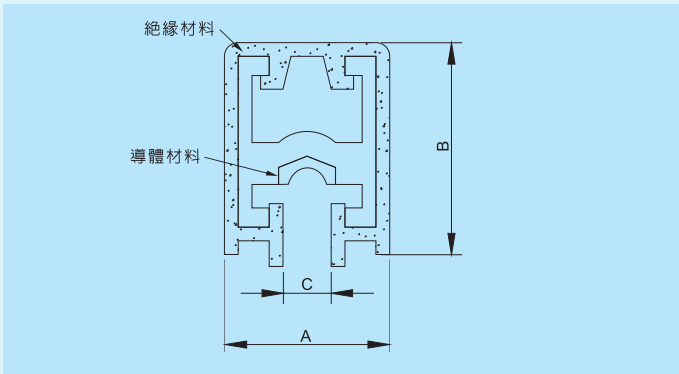
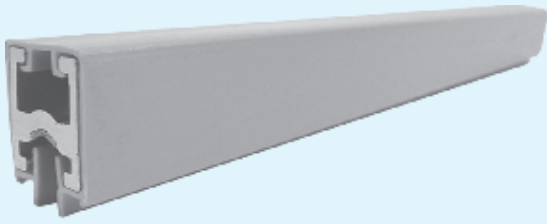
■ 320Amp、520Amp、800Amp

W型絕緣安全電軌標準包裝



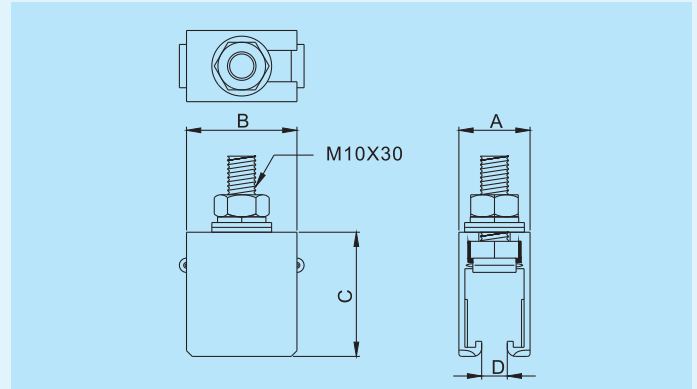
W 型絕緣安全電軌 Insulated Conductor Rails

導電材料：鋁/銅
絕緣材料：PVC (耐熱性 60°C)



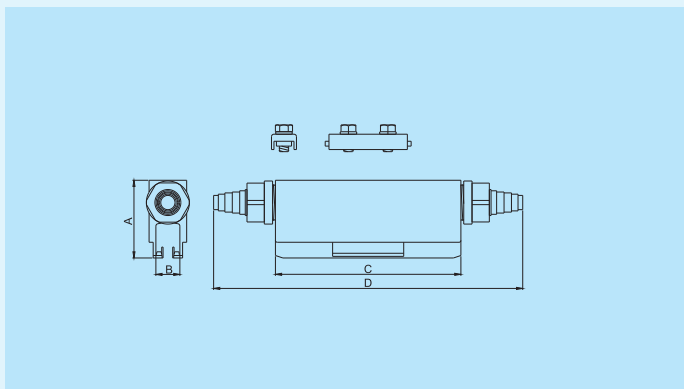
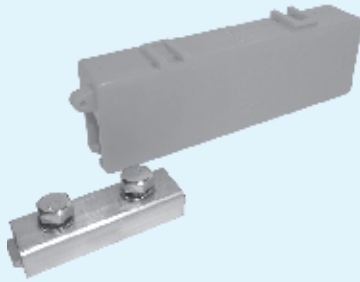
Part No.	Rating	Weight (kg)	Rail Length (mm)	A	B	C
HW-3201	600V · 320Amp	2.08	4000	19	24	6
HW-5201	600V · 520Amp	3.35	4000	23	30	8

W 型電軌夾 Hanger Clamp



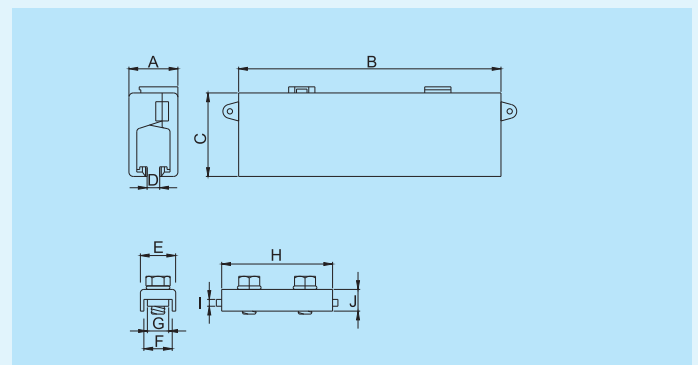
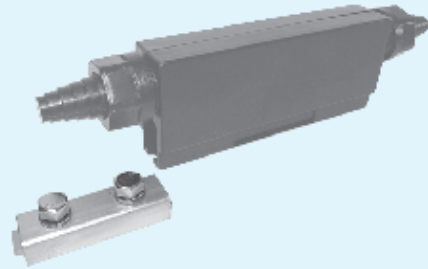
Part No.	Weight (kg)	A	B	C	D
HW-3202	0.06	25	39	44	9.5
HW-5202	0.07	33	43	49	14

W 型電軌接頭 Rails Connector



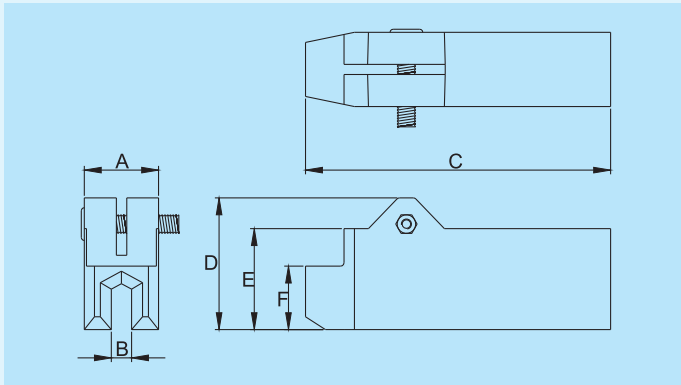
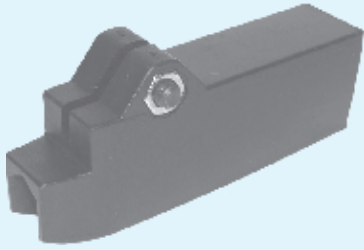
Part No.	Weight (kg)	A	B	C	D	E	F	G	H	I	J
HW-3203	0.13	28	150	48	8	20	16	12	64	4	13
HW-5203	0.16	33	175	52	11	26	21	17	92	5	16

W 型電源供電器 Power Feed



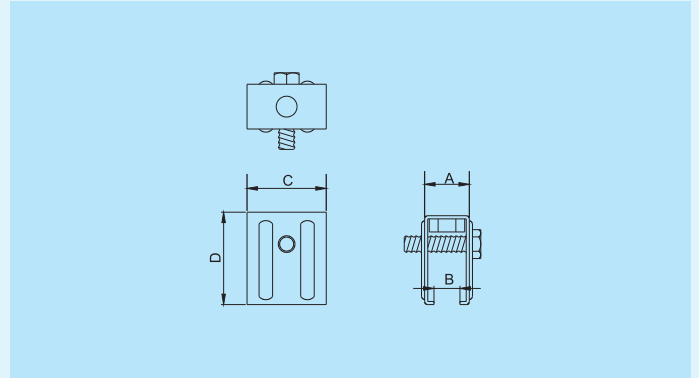
Part No.	Weight (kg)	A	B	C	D
HW-3204	0.17	63	19	150	225
HW-5204	0.20	70	24	175	250

■ W型末端蓋 End Cap



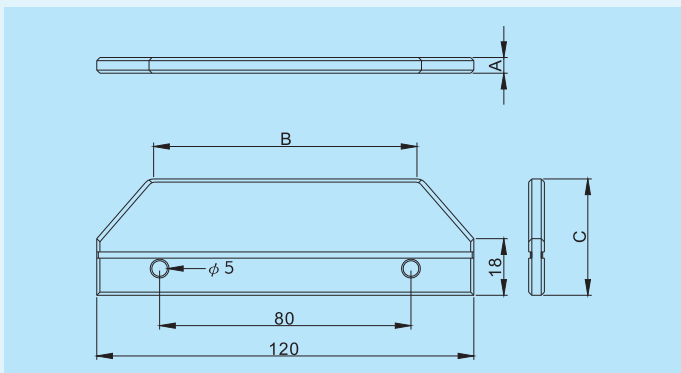
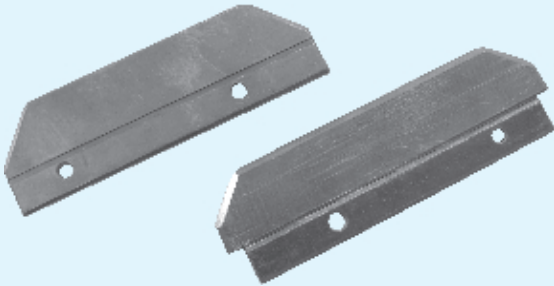
Part No.	Weight (kg)	A	B	C	D	E	F
HW-3205	0.03	22	6	91	40	30	19
HW-5205	0.06	27	8	100	46	36	26

■ W型定位夾 Anchor Clamp



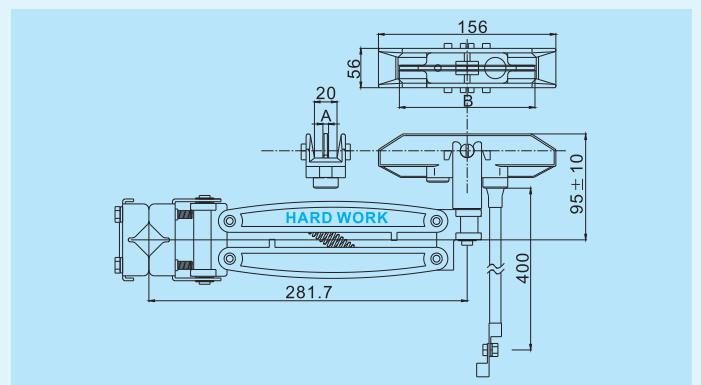
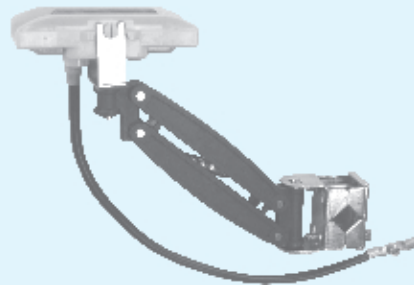
Part No.	Weight (kg)	A	B	C	D
HW-3206	0.11	22	13	38	43
HW-5206	0.22	26	17	43	49

■ W型集電片 Collector



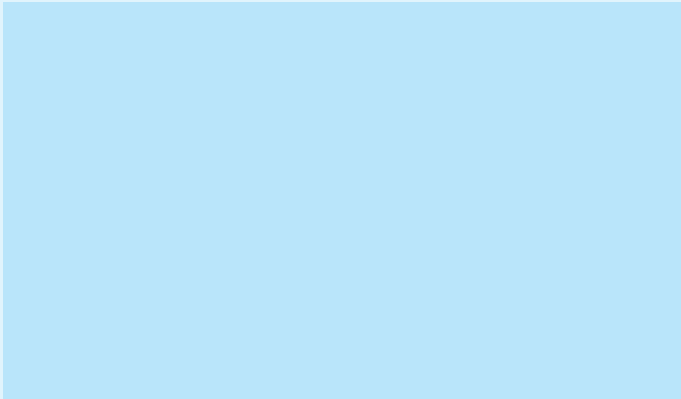
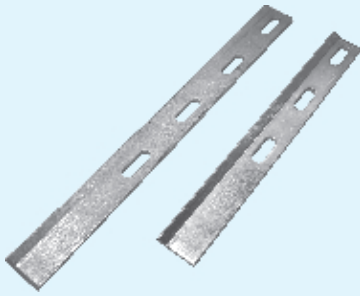
Part No.	Rating	Weight (kg)	A	B	C
HW-3208	600V · 100Amp	0.13	5	85	37
HW-5208	600V · 200Amp	0.25	7	98	42

■ W型雙臂集電架 Collector Shoe



Part No.	Rating	Weight (kg)	A	B
HW-3207	600V · 100Amp	1.05	5	120
HW-5207	600V · 200Amp	1.20	7	131

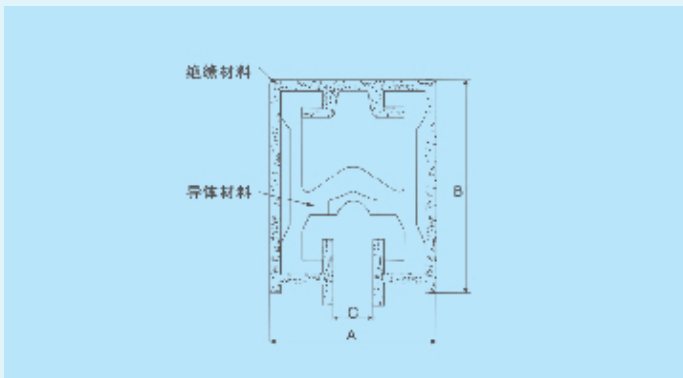
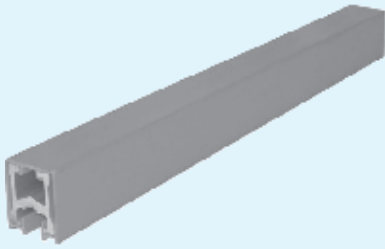
■ 支撐架or扁鐵 Supports



Part No.	TYPE	Weight (kg)	A
HW-3209-3	HW-3P	0.40	300
HW-3209-4	HW-4P	0.50	380

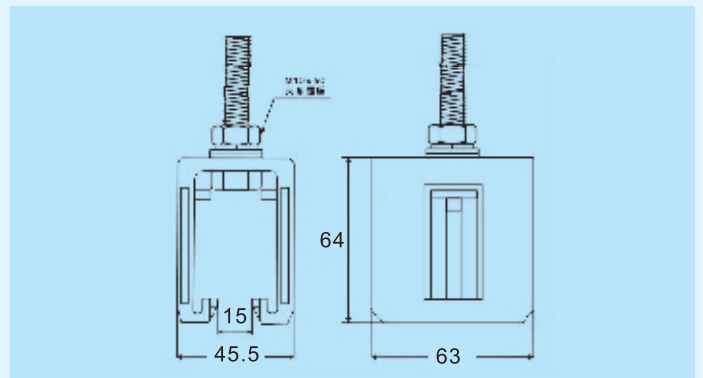
■ W 型絕緣安全電軌 Insulated Conductor Rails

導電材料: 鋁/銅
絕緣材料: PVC (耐熱性60°C)



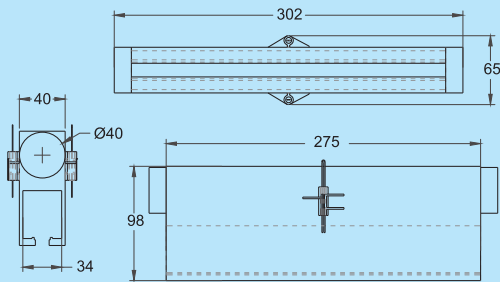
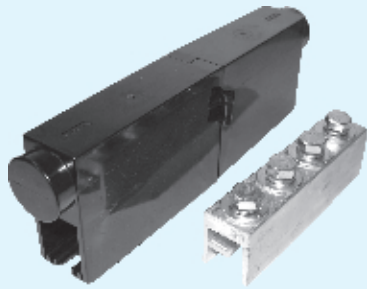
Part No.	Rating	Weight (kg)	Rait Lenght (mm)	A	B	C
HW-8001	600V · 800Amp	5.35	4000	33.5	41	11

■ W型電軌夾 Hanger Clamp



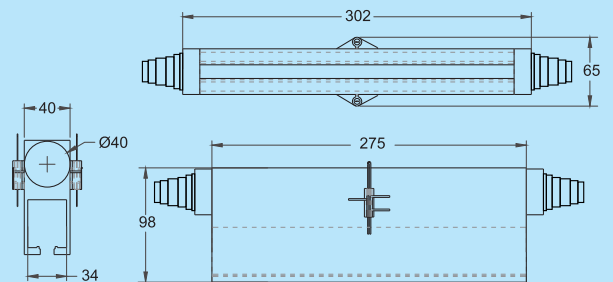
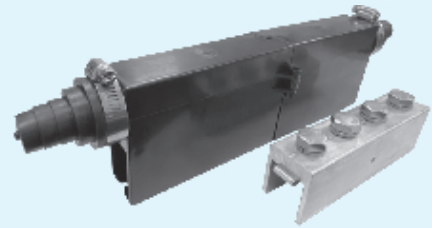
Part No.	Weight (kg)
HW-8002	0.12

■ W型電軌接頭 Rails Connector



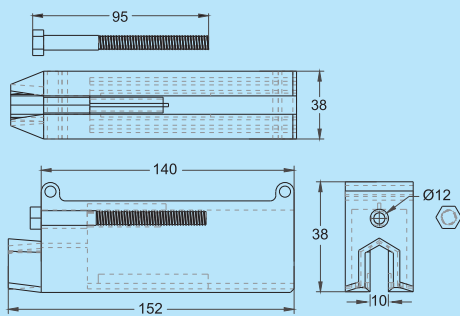
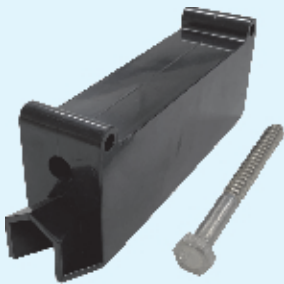
Part No.	Weight (kg)
HW-8003	0.86

■ W型電源供電器 Power Feed



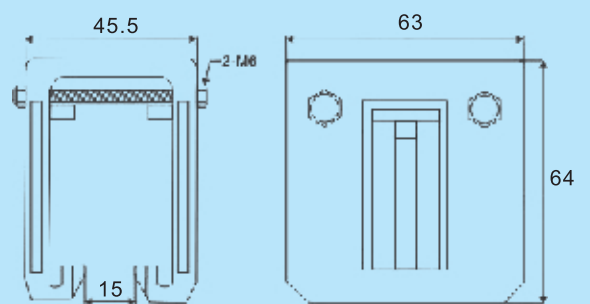
Part No.	Weight (kg)
HW-8004	0.90

■ W型末端蓋 End Cap



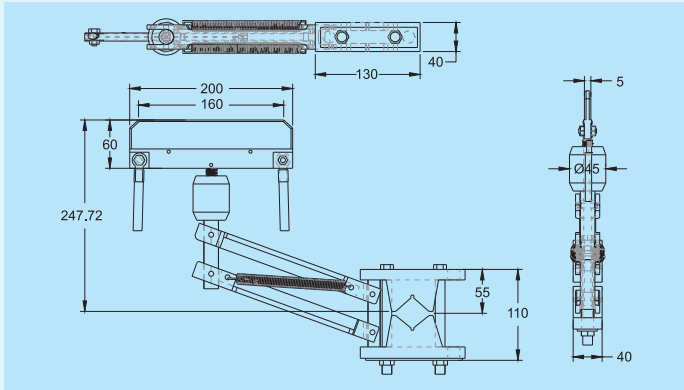
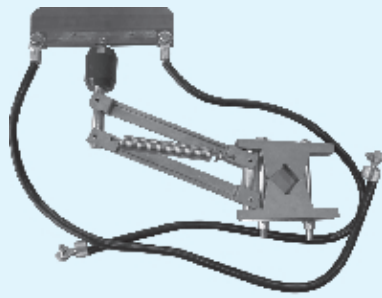
Part No.	Weight (kg)
HW-8005	0.12

■ W型定位夾 Anchor Clamp



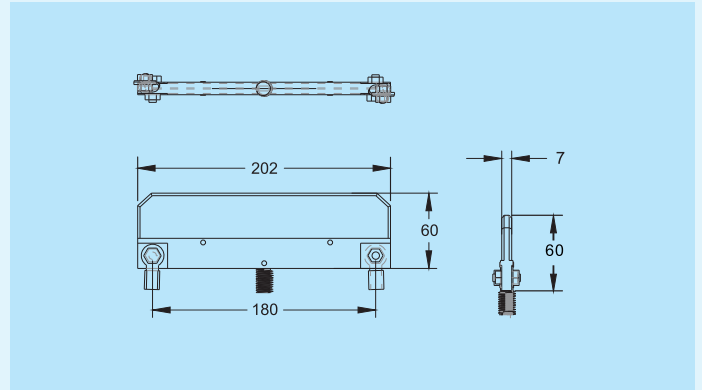
Part No.	Weight (kg)
HW-8006	0.12

■W型雙臂集電架 Collector Shoe



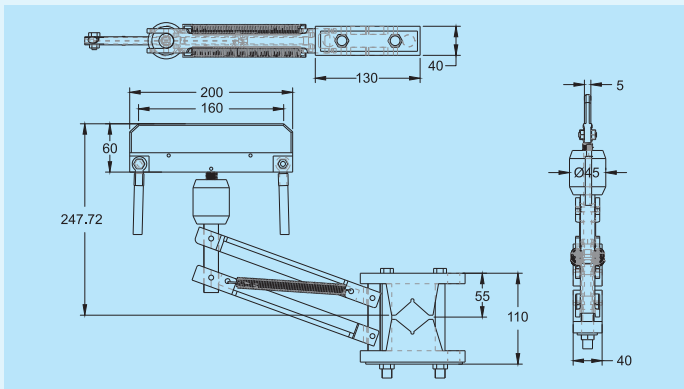
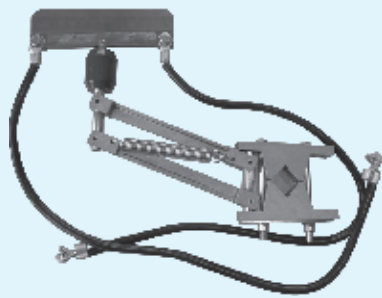
Part No.	Rating	Weight (kg)
HW-8007	600V · 300Amp	3

■W型集電片 Collector



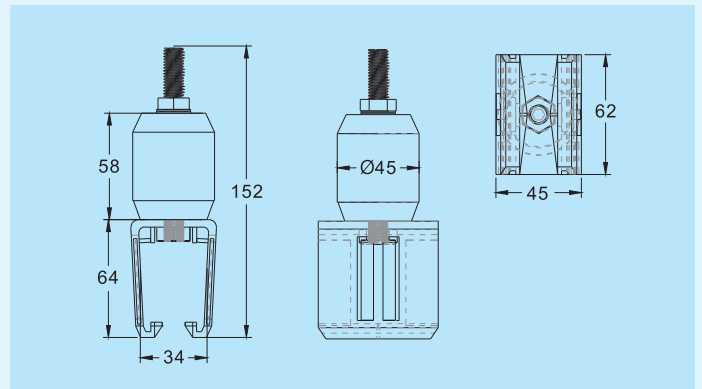
Part No.	Rating	Weight (kg)
HW-8008	600V · 300Amp	0.6

■W型雙臂集電架 Collector Shoe



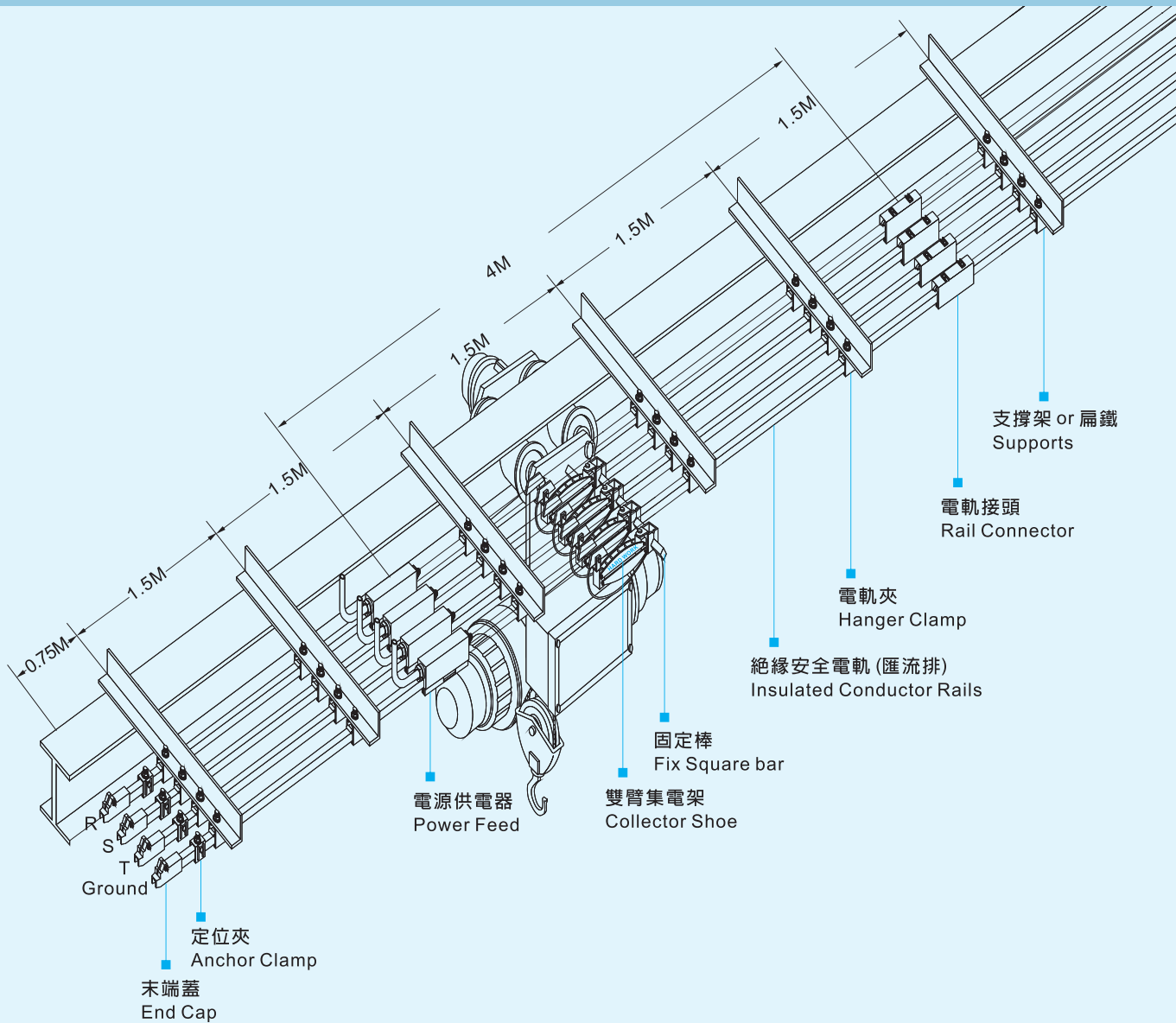
Part No.	Rating	Weight (kg)
HW-8007	600V · 300Amp	3

■絕緣礙子電軌夾 Insulation barrier electric rail clamp

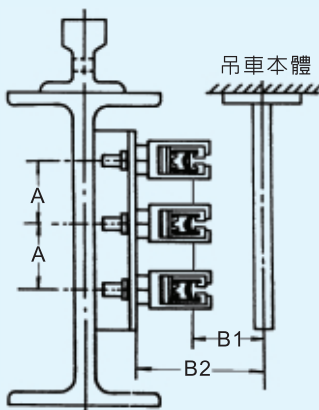


Part No.	Weight (kg)
HW-8011	0.29

W 型絕緣安全電軌概要設計圖

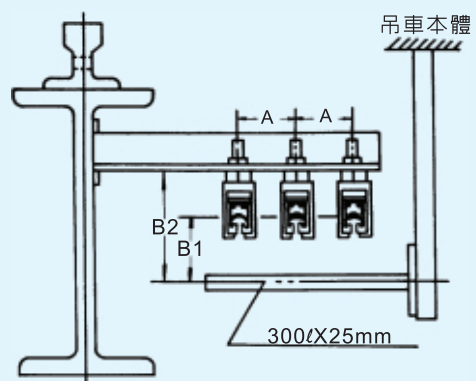


■ 側式施工 Side



A	最小 mm	80
	標準 standard	100

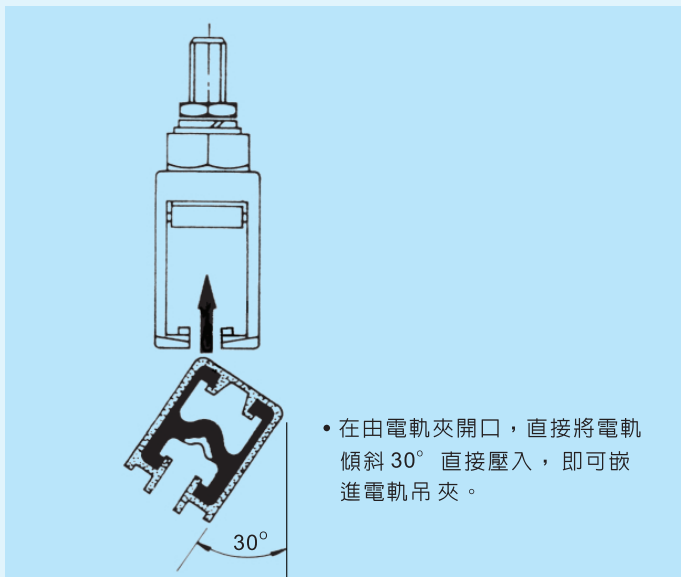
■ 立式施工 Vertical



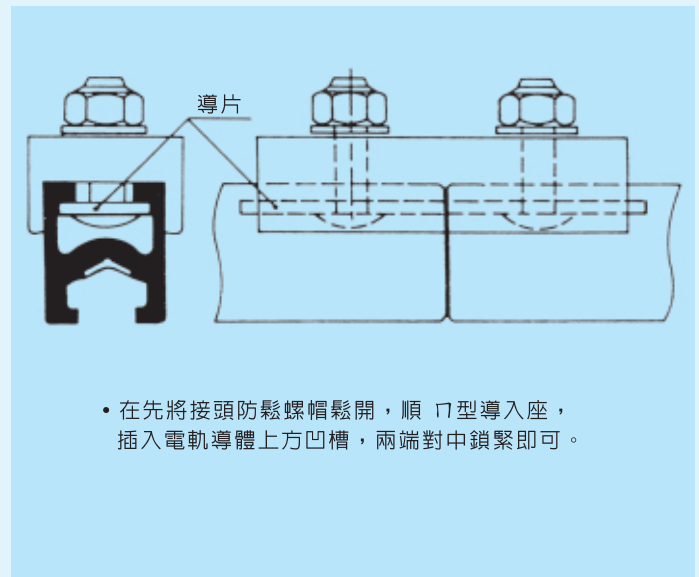
B	B1	95
	B2	160

■ 安裝設計 Supports Design

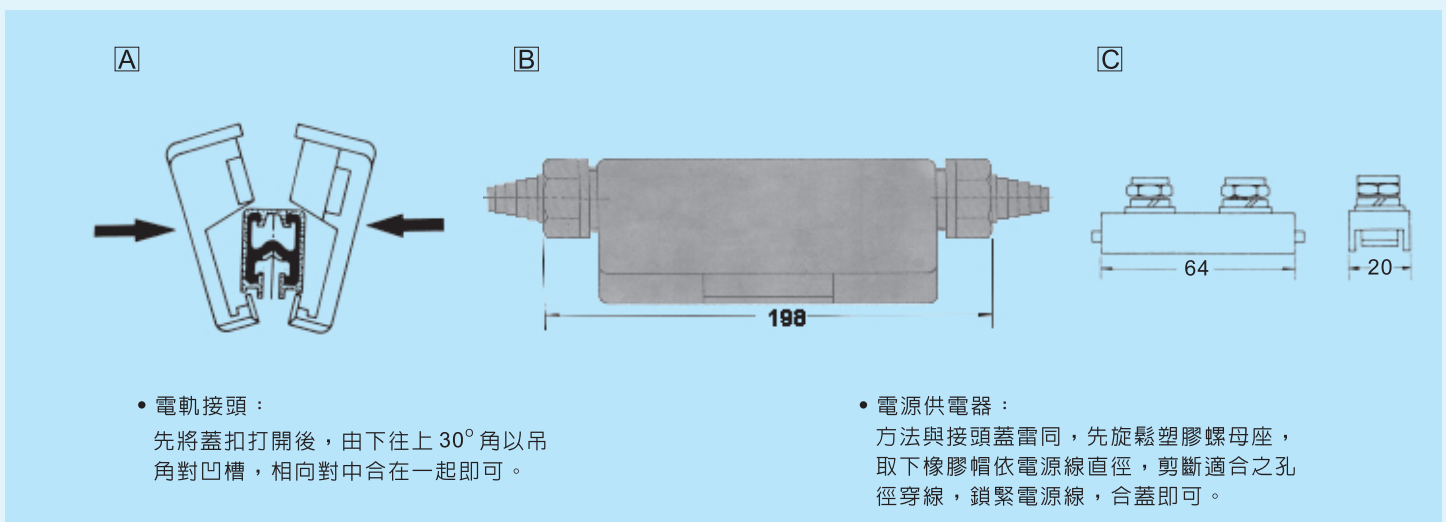
① 電軌夾安裝圖



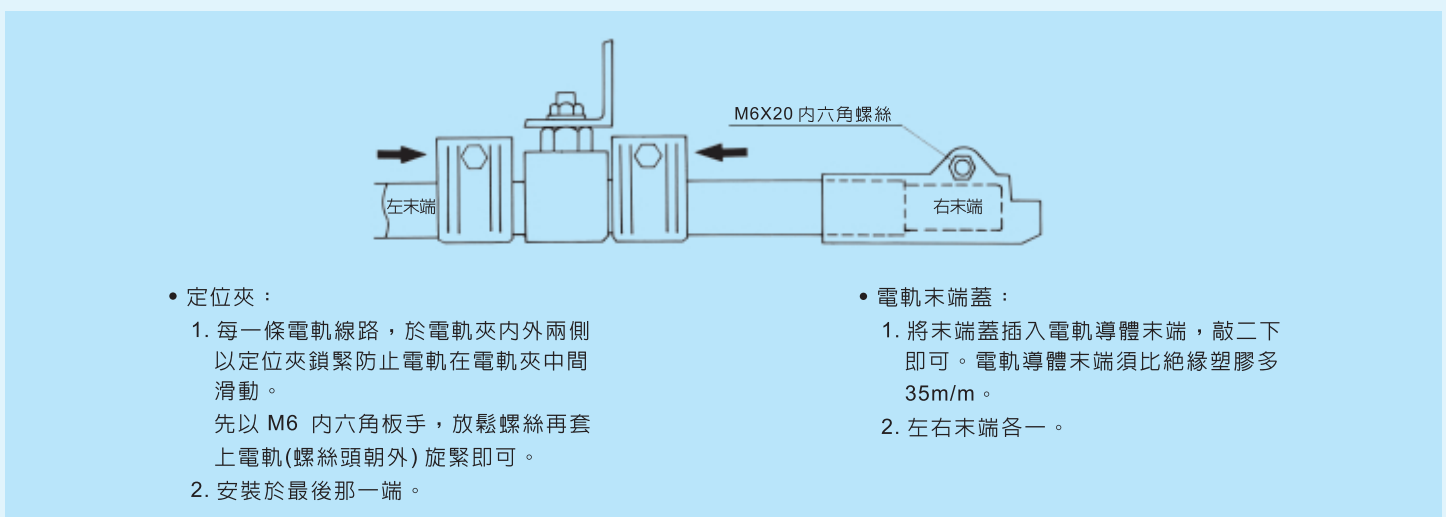
② 電軌接頭安裝圖



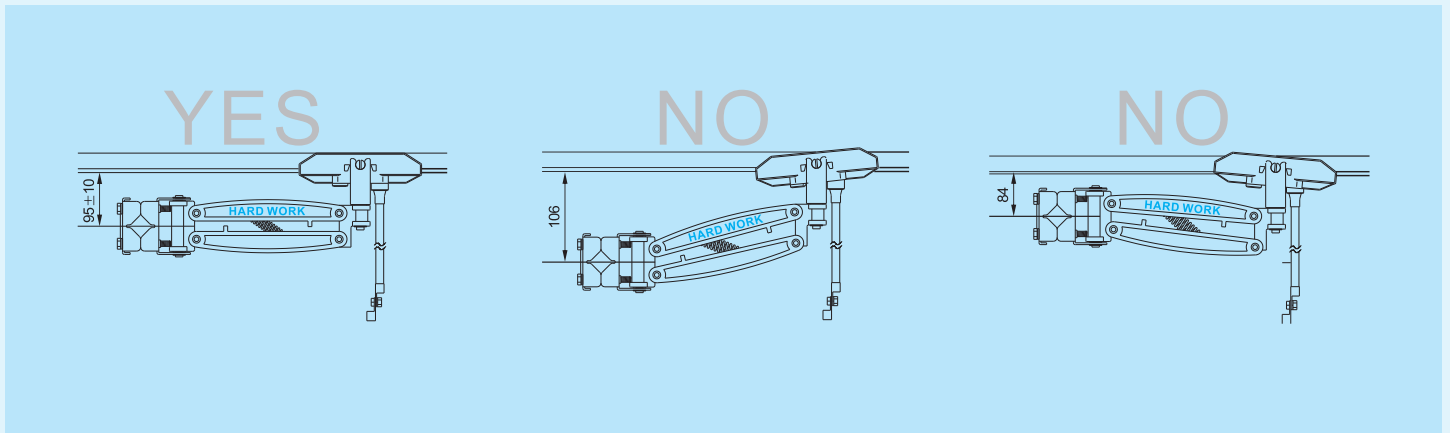
③ 電軌接頭、電源供電器安裝圖



④ 定位夾安裝圖 & 末端蓋安裝圖



⑤ 固定棒、雙臂集電架安裝圖



三相訂料標準配備參考表 Order Specification

總米數 Total Length	W電軌 Insulated Conductor Rails	W電軌夾 Hanger Clamp	接頭 Rail Connector	電源蓋 Power Feed	末端蓋 End Cap	定位夾 Anchor Clamp
20M	15支	39只	12只	3只	6只	6只
25M	21支	57只	18只	3只	6只	6只
30M	24支	66只	21只	3只	6只	6只
35M	27支	72只	24只	3只	6只	6只
40M	30支	84只	27只	3只	6只	6只
45M	36支	96只	33只	3只	6只	6只
50M	39支	108只	36只	3只	6只	6只
55M	42支	117只	39只	3只	6只	6只
60M	45支	129只	42只	3只	6只	6只
65M	51支	141只	48只	3只	6只	6只
70M	54支	147只	51只	3只	6只	6只
75M	57支	159只	54只	3只	6只	6只
80M	60支	165只	57只	3只	6只	6只
85M	66支	174只	63只	3只	6只	6只
90M	69支	184只	66只	3只	6只	6只
95M	72支	195只	69只	3只	6只	6只
100M	75支	204只	72只	3只	6只	6只
120M	90支	264只	87只	3只	6只	6只

四相訂料標準配備參考表 Order Specification

總米數 Total Length	電軌 Insulated Conductor Rails	電軌夾 Hanger Clamp	接頭 Rail Connector	電源蓋 Power Feed	末端蓋 End Cap	定位夾 Anchor Clamp
20M	20支	52只	16只	4只	8只	8只
25M	28支	76只	24只	4只	8只	8只
30M	32支	88只	28只	4只	8只	8只
35M	36支	96只	32只	4只	8只	8只
40M	40支	108只	36只	4只	8只	8只
45M	48支	128只	44只	4只	8只	8只
50M	52支	144只	48只	4只	8只	8只
55M	56支	156只	52只	4只	8只	8只
60M	60支	172只	56只	4只	8只	8只
65M	68支	188只	64只	4只	8只	8只
70M	72支	204只	68只	4只	8只	8只
75M	76支	212只	72只	4只	8只	8只
80M	80支	232只	76只	4只	8只	8只
85M	88支	248只	84只	4只	8只	8只
90M	92支	264只	88只	4只	8只	8只
95M	96支	272只	92只	4只	8只	8只
100M	100支	292只	96只	4只	8只	8只
120M	120支	352只	116只	4只	8只	8只

A Specialist in Safe/Reliable Power and Data Transfer Systems for Moving Equipment

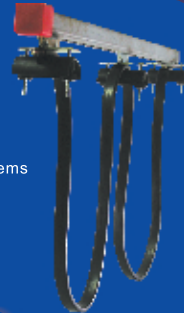
Insulated Conductor Rails



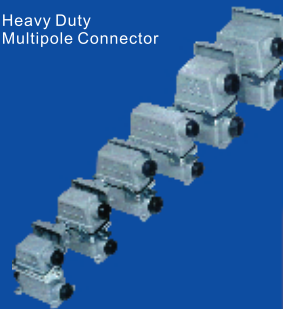
Spring Cable Reels



Flat Cable Festoon Systems



Heavy Duty Multipole Connector



Energy Chain Systems



Push Button Pendant



Agent :